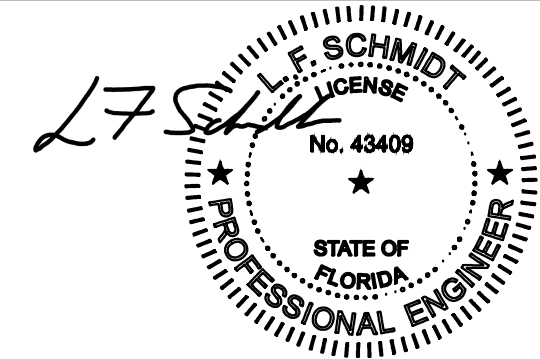
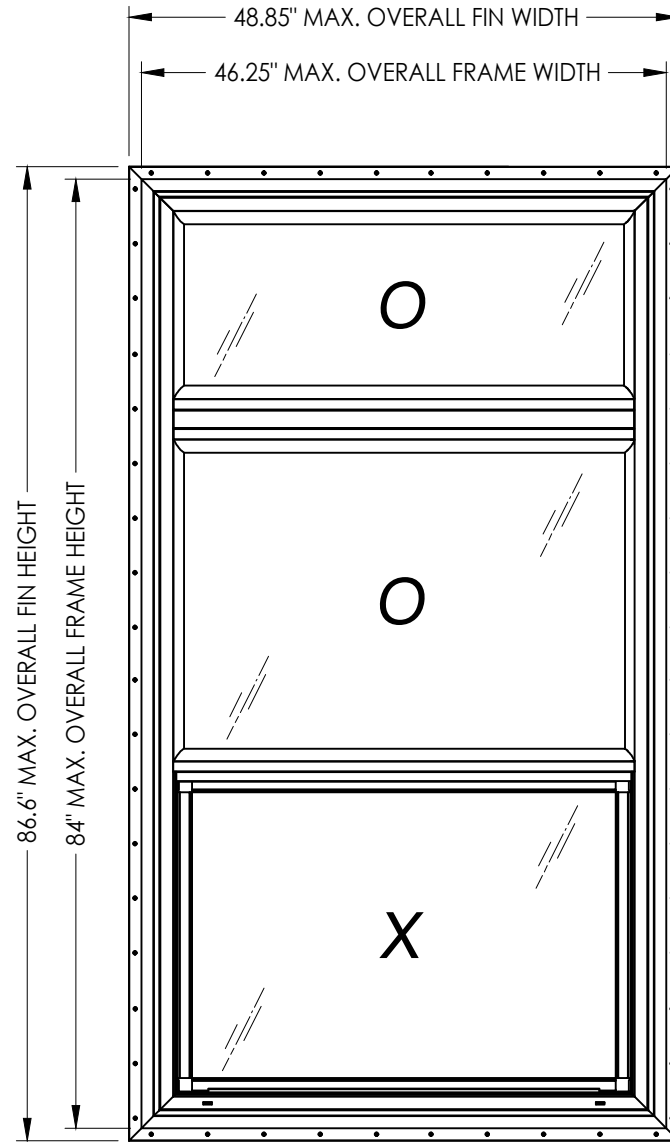




3501 CR 6 EAST
ELKHART, IN 46514



MODEL 9730 PVC SINGLE HUNG WINDOW w/TRANSOM w/ NAILING FIN "NON-IMPACT"



This item has been digitally signed and sealed by L. F. Schmidt, P.E. on the date adjacent to the seal. Printed copies of this document are not considered signed and sealed and the signature must be verified on any electronic copies.

THIS PRODUCT APPROVAL IS VALID ONLY FOR THE STATE OF FLORIDA

GENERAL NOTES

1. This product anchoring drawing has been developed in compliance with the 8th Edition (2023) Florida Building Code (FBC) excluding the "High Velocity Hurricane Zone". See the Certification Agency Certificate for sizes, specifications and ratings.
2. Product anchors shall be as listed and spaced as shown on details. Anchor embedment to base material shall be beyond wall dressing, stucco, foam, brick and other wall coverings.
3. Wood screws shall be installed following installation instructions of ANSI/AWC NDS 2018. All other fastener types to be installed following fastener manufacturer's installation instructions.
4. Fastener embedment depths, edge distances and center-center distances shall be as specified by the fastener manufacturer but in no instance shall they be less than shown in this drawing.
5. Where shims are used, they must be a "rigid / stiff" material that complies with the requirements of the FBC.
6. Positive and negative design pressure requirements for use with this drawing shall be determined by others for specific jobs in accordance with the governing code.
7. Site conditions not covered by this drawing are subject to further engineering analysis.

TABLE OF CONTENTS	
SHEET #	DESCRIPTION
1	Typical Elevation, Design Pressures & General Notes
2	Horizontal & Vertical Cross Sections
3	Horizontal & Vertical Cross Sections, Glazing Detail & BOM
4	Buck & Frame Anchoring

OVERALL FIN DIMENSION	OVERALL FRAME DIMENSION	DESIGN PRESSURE (PSF)	
		POSITIVE	NEGATIVE
48.85" x 86.6"	46.25" x 84.0"	+40.0	-50.0

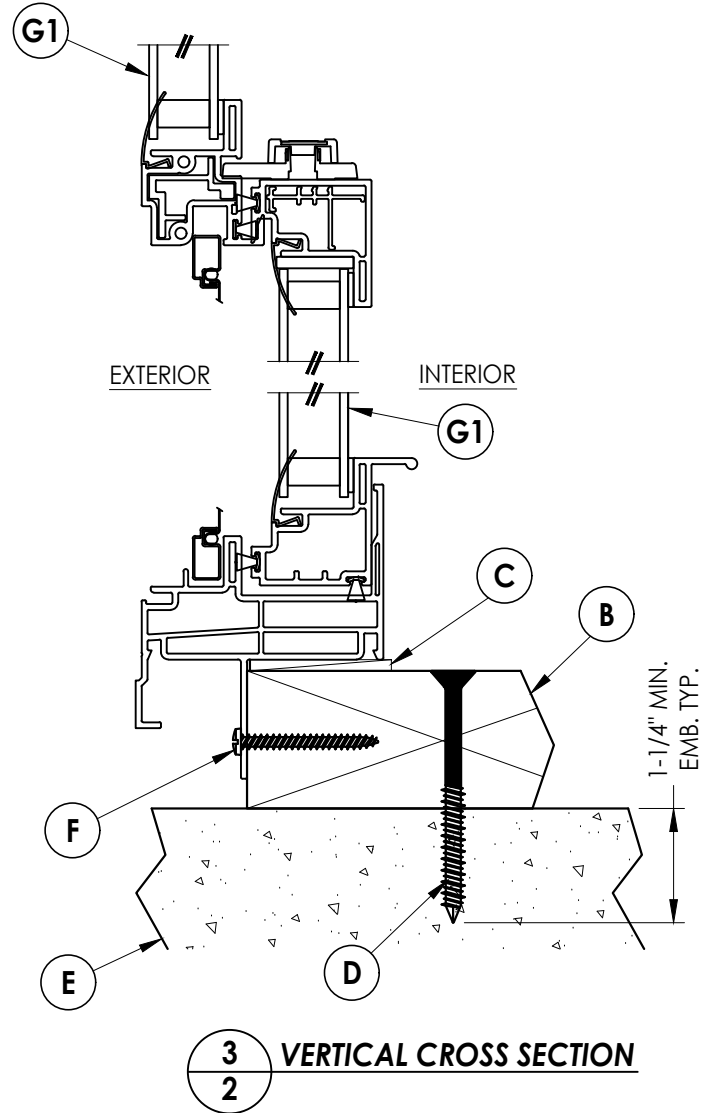
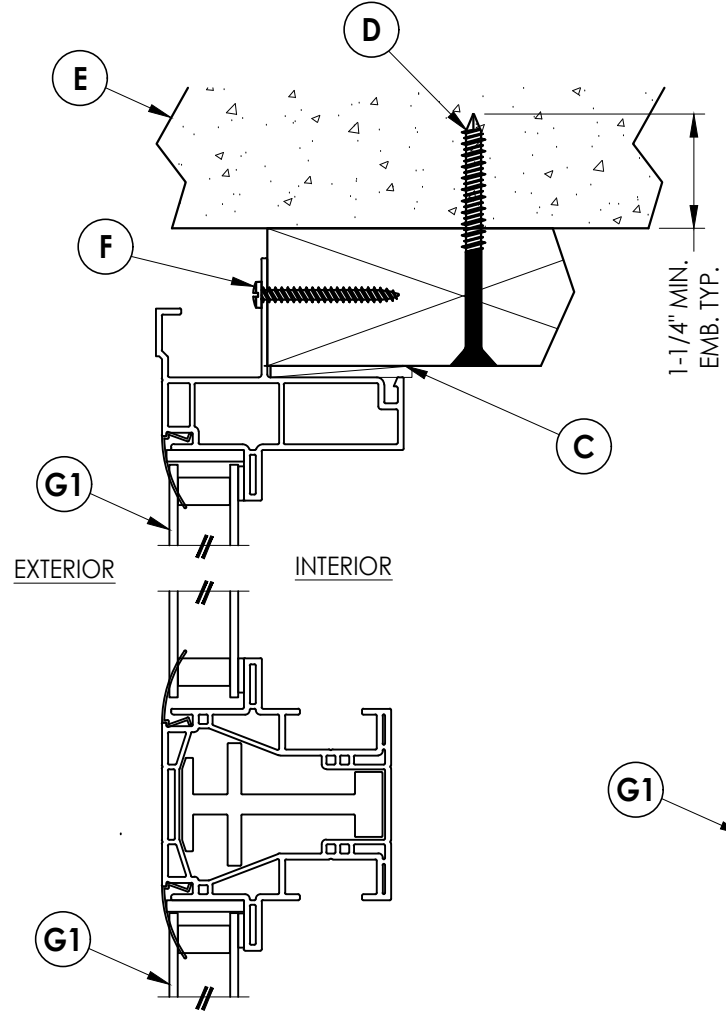
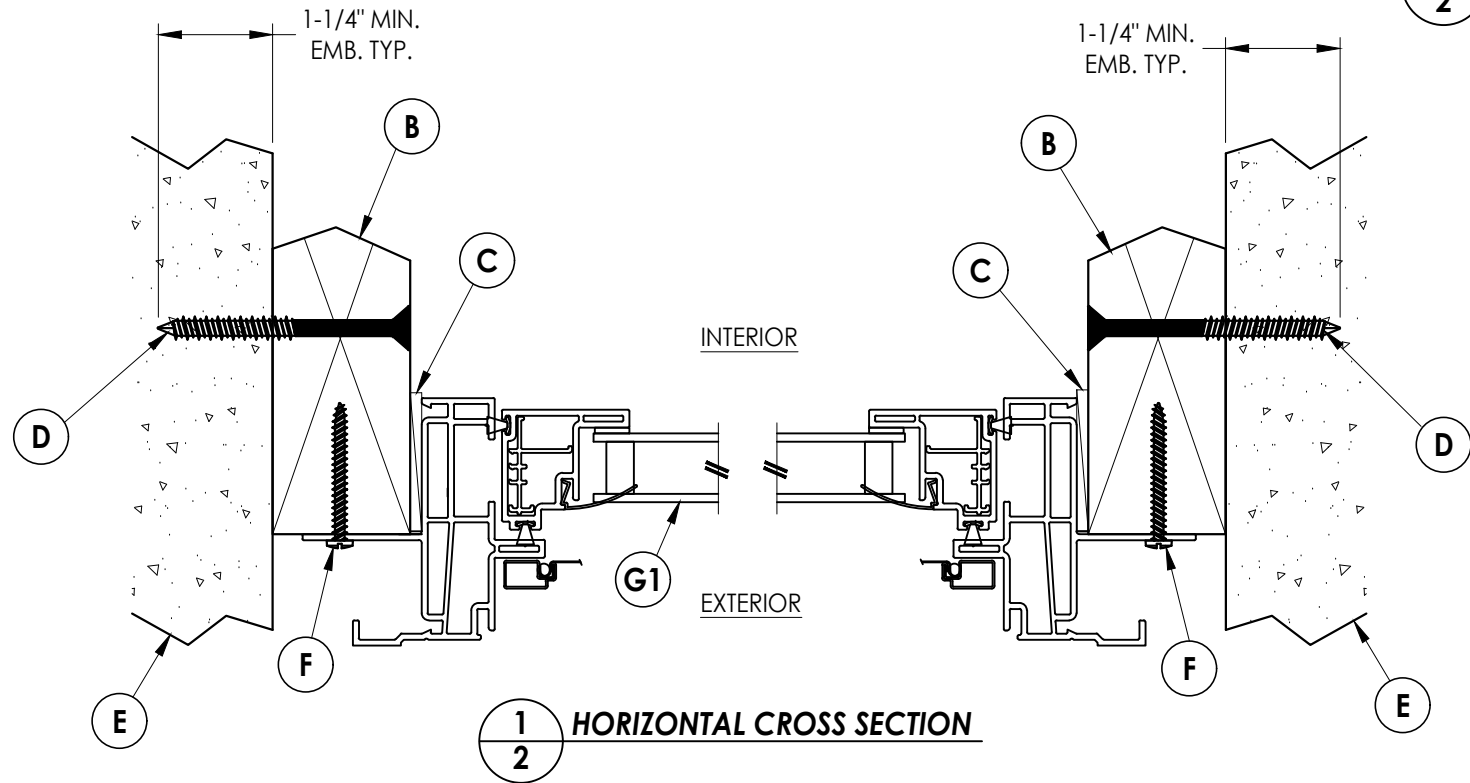
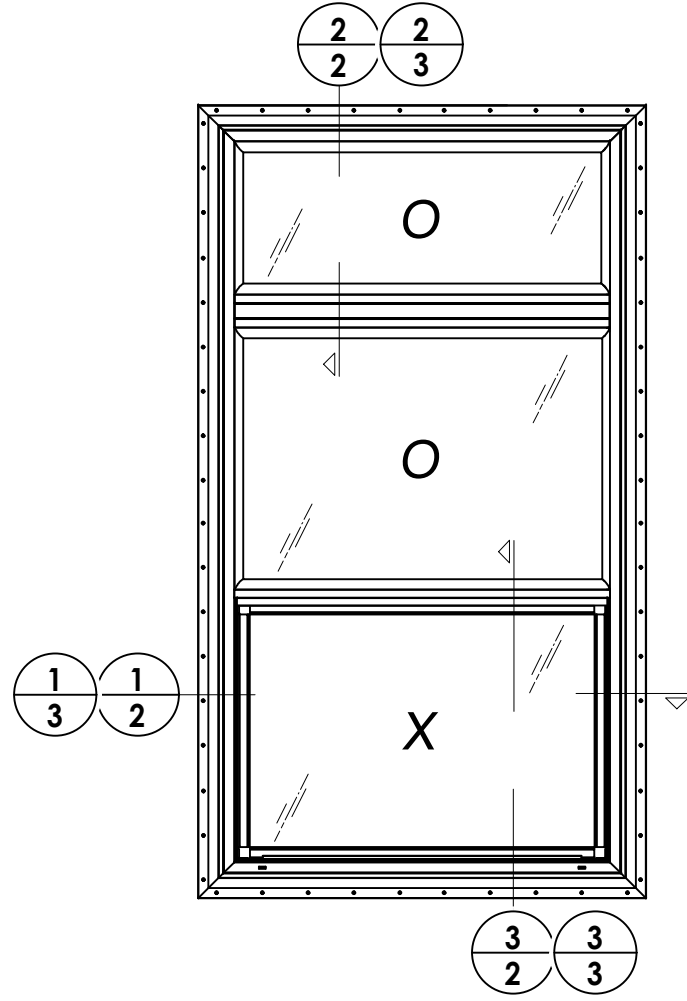
Documents Prepared By:
Lyndon F. Schmidt
P.E. No. 43409

RW
BUILDING CONSULTANTS, INC.
P.O. Box 230, Valrico, FL 33595
Phone No.: 813.659.9197
FBPE Registry No. 9813

PRODUCT: SINGLE HUNG WINDOW w/ TRANSOM
PART OR ASSEMBLY: TYPICAL ELEVATION, DESIGN PRESSURES & GENERAL NOTES

NO.	DATE	BY	REVISIONS
3	9/18/23	LFS	UPDATE TO 8TH ED. (2023) FBC
2	9/03/20	DAC	UPDATE TO 7th ED. (2020) FBC
1	10/03/17	JK	UPDATE TO 6th ED. (2017) FBC

DATE: 5/02/17
SCALE: N.T.S.
DWG. BY: JK
CHK. BY: LFS
DRAWING NO.: FL-993.10
SHEET 1 OF 4



Documents Prepared By:
 Lyndon F. Schmidt
 P.E. No. 43409

RW BUILDING CONSULTANTS, INC.
 P.O. Box 230, Valrico, FL 33595
 Phone No.: 813.659.9197
 FBPE Registry No. 9813

PRODUCT:
 SINGLE HUNG WINDOW
 w/ TRANSOM

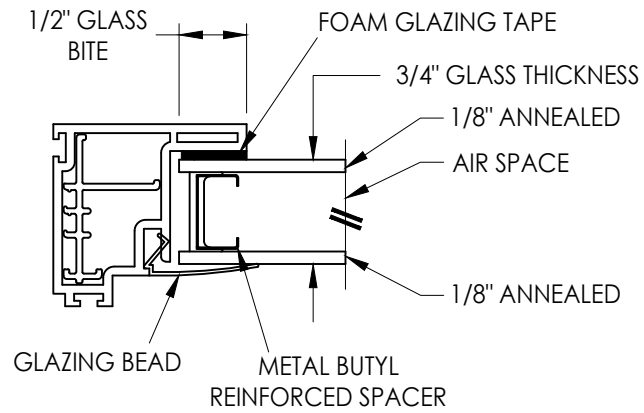
PART OR ASSEMBLY:
 HORIZONTAL & VERTICAL CROSS
 SECTIONS

NO.	DATE	REVISIONS
3	9/18/23	UPDATE TO 8TH ED. (2023) FBC LFS
2	9/03/20	UPDATE TO 7th ED. (2020) FBC DAC
1	10/03/17	UPDATE TO 6th ED. (2017) FBC JK

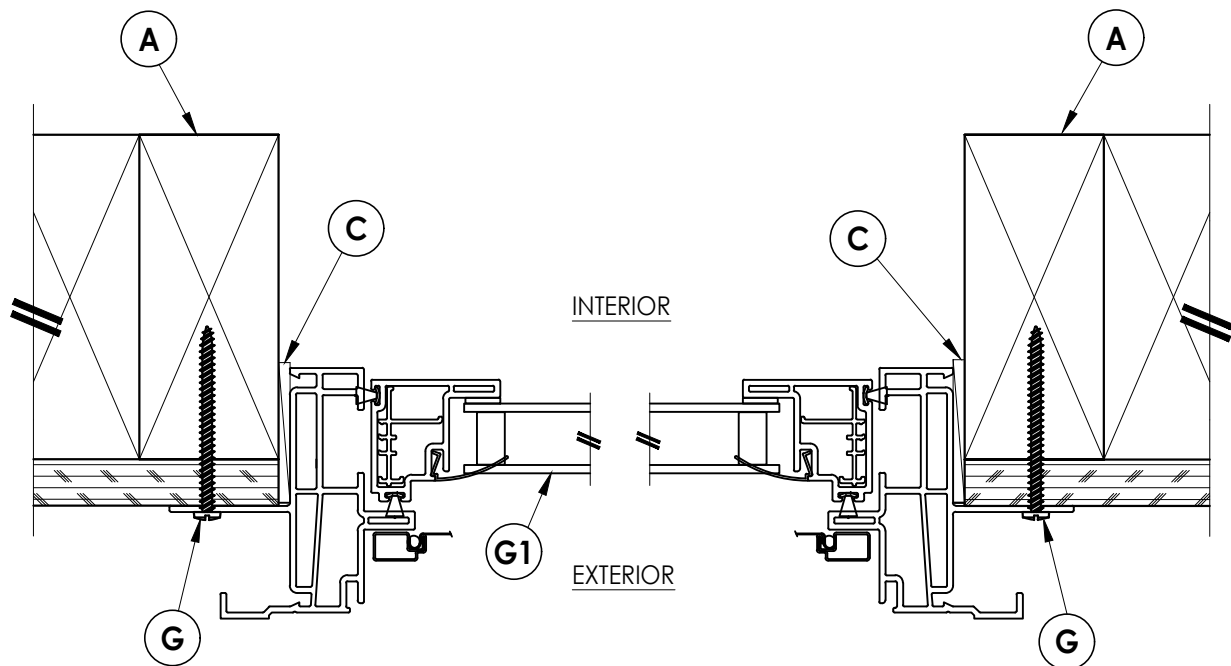
DATE: 5/02/17
 SCALE: N.T.S.
 DWG. BY: JK
 CHK. BY: LFS
 DRAWING NO.: FL-993.10
 SHEET 2 OF 4

Z:\2023 FBC Drawings\Lippert Components, Inc\FL-993 R19\FL-993.10-12.dwg

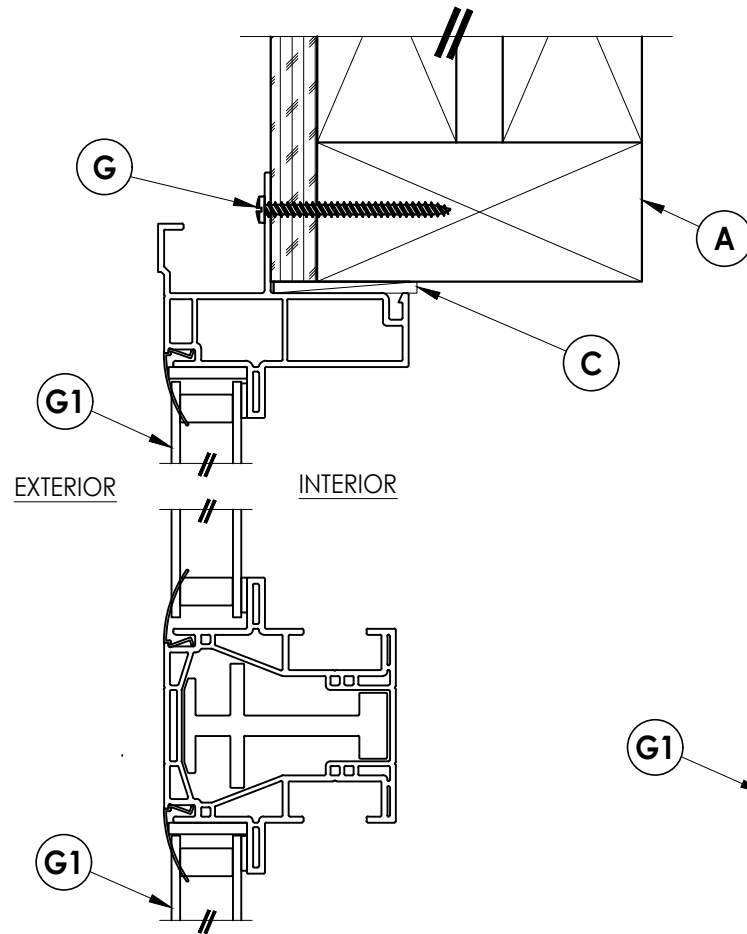
BILL OF MATERIALS		
ITEM #		MATERIAL
A	2X FRAMING (SG >= 0.42) w/ EXTERIOR SHEATHING	WOOD
B	2X BUCK (SG >= 0.42)	WOOD
C	1/8" MAX. SHIM SPACE	-
D	1/4" X 2-3/4" PFH DeWALT OR ITW CONCRETE SCREW	STEEL
E	MASONRY - 3,000 PSI MIN. CONCRETE CONFORMING TO ACI 301 OR HOLLOW BLOCK CONFORMING TO ASTM C90	CONCRETE
F	#8 X 1-1/2" TRUSS HEAD SMS (1-3/8" MIN. EMBEDMENT)	STEEL
G	#8 X 2" TRUSS HEAD SMS (1-3/8" MIN. EMBEDMENT)	STEEL



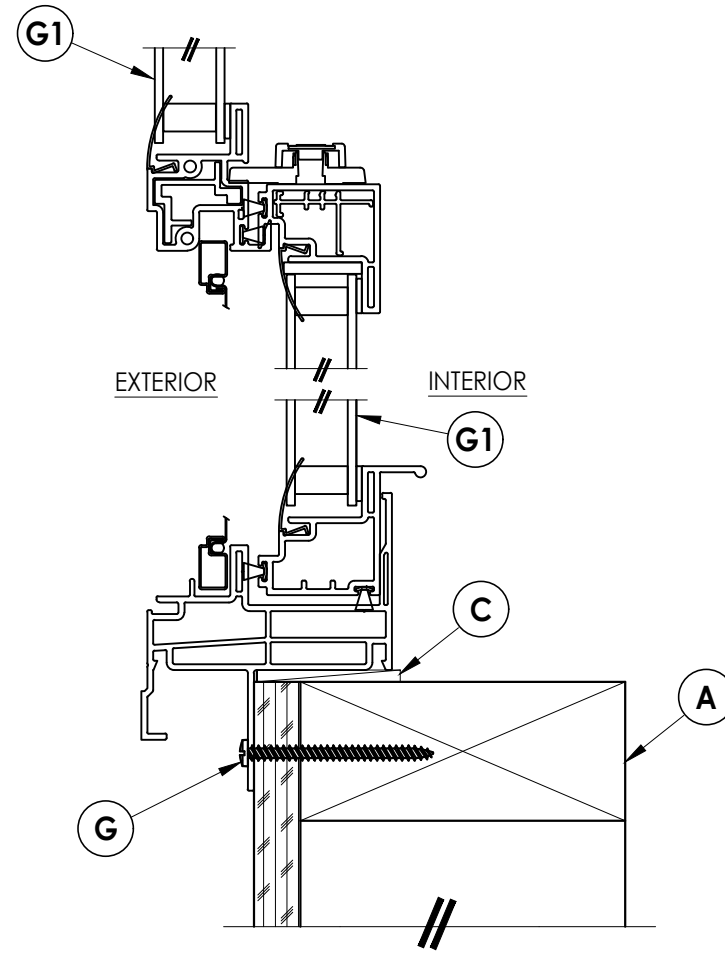
G1 GLAZING DETAIL



1
3 HORIZONTAL CROSS SECTION



2
3 VERTICAL CROSS SECTION



3
3 VERTICAL CROSS SECTION

Documents Prepared By:
Lyndon F. Schmidt
P.E. No. 43409

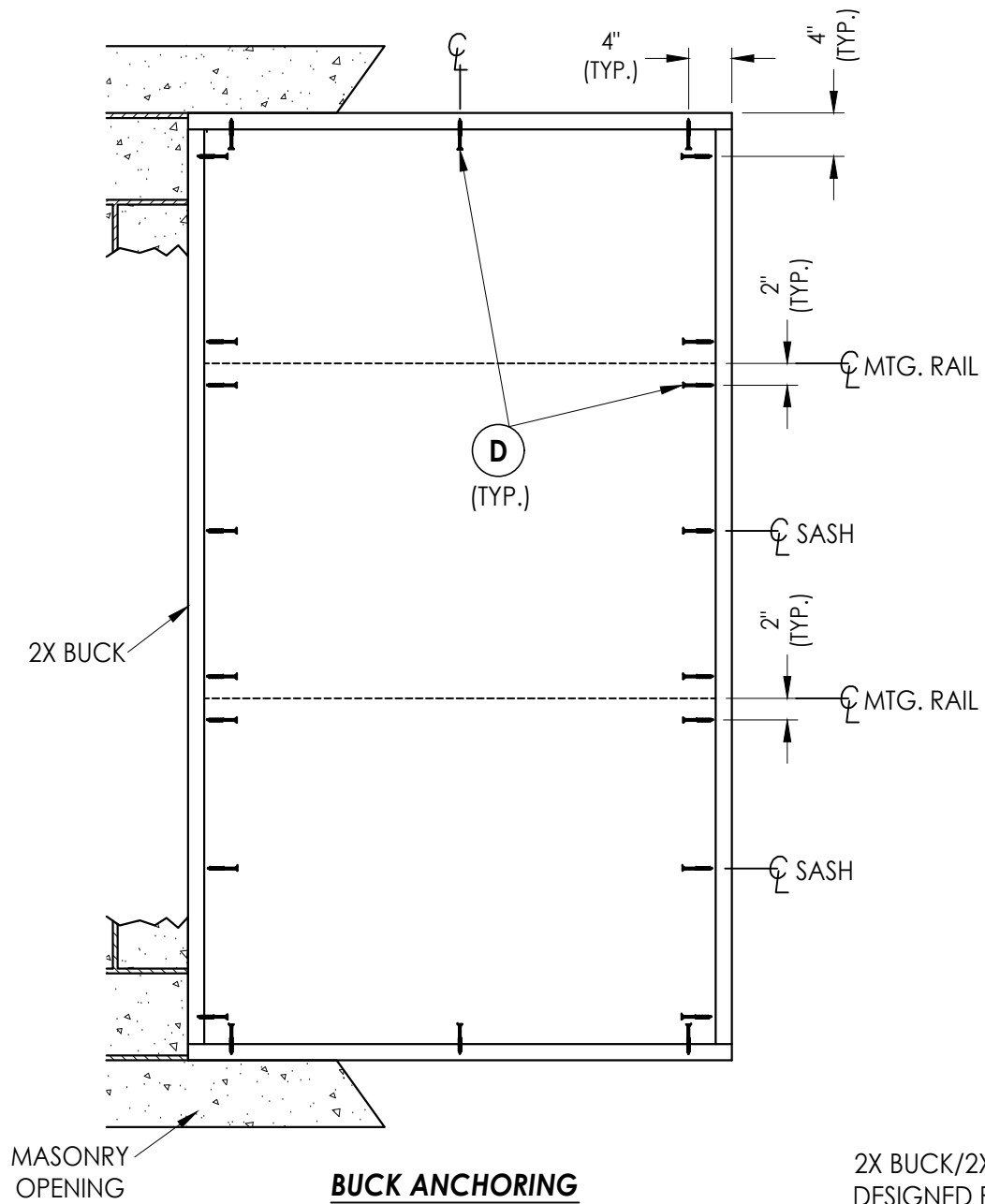
RW BUILDING CONSULTANTS, INC.
P.O. Box 230, Vairico, FL 33595
Phone No.: 813.659.9197
FBPE Registry No. 9813

PRODUCT: SINGLE HUNG WINDOW w/ TRANSOM
PART OR ASSEMBLY: HORIZONTAL & VERTICAL CROSS SECTIONS, GLAZING DETAIL & BOM

NO.	DATE	BY	REVISIONS
3	9/18/23	LFS	UPDATE TO 8TH ED. (2023) FBC
2	9/03/20	DAC	UPDATE TO 7th ED. (2020) FBC
1	10/03/17	JK	UPDATE TO 6th ED. (2017) FBC

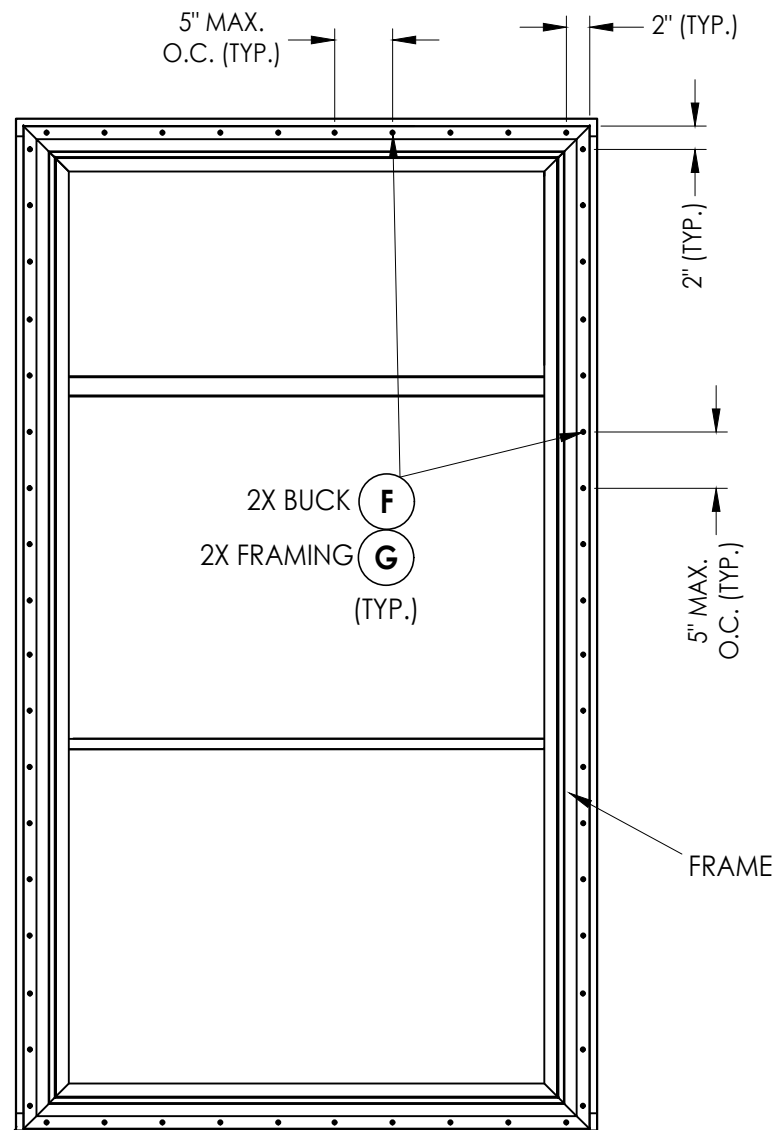
DATE: 5/02/17
SCALE: N.T.S.
DWG. BY: JK
CHK. BY: LFS
DRAWING NO.: FL-993.10
SHEET 3 OF 4

© 2017 R.W. BUILDING CONSULTANTS INC.



BUCK ANCHORING

2X BUCK/2X FRAMING TO BE DESIGNED BY THE ENGINEER OR ARCHITECT OF RECORD



FRAME ANCHORING

CONCRETE ANCHOR NOTES:

1. Concrete anchor locations at the corners may be adjusted to maintain the min. edge distance to mortar joints.
2. Concrete anchor locations noted as "MAX. ON CENTER" must be adjusted to maintain the min. edge distance to mortar joints, additional concrete anchors may be required to ensure the "MAX. ON CENTER" dimension are not exceeded.
3. Concrete anchor table:

ANCHOR TYPE	ANCHOR SIZE	MIN. EMBEDMENT	MIN. CLEARANCE TO MASONRY EDGE	MIN. CLEARANCE TO ADJACENT ANCHOR
ITW TAPCON®	1/4"	1-1/4"	2"	4"
DeWALT ULTRACON®	1/4"	1-1/4"	1"	4"

WOOD SCREW INSTALLATION NOTES:

1. Maintain a minimum 5/8" edge distance, 1" end distance, & 1" o.c. spacing of wood screws to prevent the splitting of wood.

Documents Prepared By:
Lyndon F. Schmidt
P.E. No. 43409

RW BUILDING CONSULTANTS, INC.
P.O. Box 230, Valrico, FL 33595
Phone No.: 813.659.9197
FBPE Registry No. 9813

PRODUCT: SINGLE HUNG WINDOW w/ TRANSOM
PART OR ASSEMBLY: BUCK & FRAME ANCHORING

NO.	DATE	REVISIONS	BY
3	9/18/23	UPDATE TO 8TH ED. (2023)	FBC LFS
2	9/03/20	UPDATE TO 7th ED. (2020)	FBC DAC
1	10/03/17	UPDATE TO 6th ED. (2017)	FBC JK

DATE: 5/02/17
SCALE: N.T.S.
DWG. BY: JK
CHK. BY: LFS
DRAWING NO.: FL-993.10
SHEET 4 OF 4

© 2017 R.W. BUILDING CONSULTANTS INC.